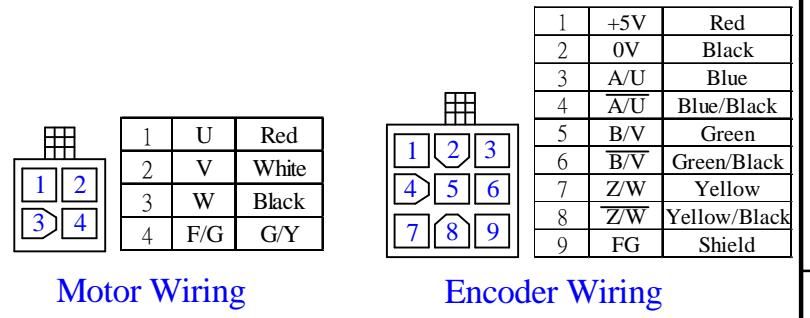


Model: JSMA-PBC04ABK									
No.	Item	Symbol	Unit	Specification	No.	Item	Symbol	Unit	Specification
1	Drive	-	-	3 ϕ 220VAC	13	Rotor Inertia	J-M	kg-cm ²	0.67 \pm 10%
2	Cooling Method	-	-	Totally Enclosed	14	Rated Power Rate	Q-R	Kw/s	24.07
3	Exciting Method	-	-	Permanent Magnet	15	Resistance	Ra	Ω	3.15 \pm 10%/2 ϕ
4	Resolution	-	-	2500 C/T	16	Inductance	L	mH	11 \pm 10% / 2 ϕ
5	Rated Output	P-R	W	400	17	Mech. Time Constant	Tm	ms	1.24 \pm 10%
6	Rated Torque	T-R	N-m	1.27	18	Elect. Time Constant	Te	ms	3.49 \pm 10%
7	Max. Torque	T-max	N-m	3.81	19	Insulation Class	-	-	Class F
8	Rated Speed	N-R	rpm	3000	20	Operation Temp.	T	$^{\circ}$ C	0~40
9	Rated Current	I-R	A	2.6	21	Operation Humd.	RH	%	<80
10	Max. Current	I-max	A	8.1	22	Storage Temp.	T	$^{\circ}$ C	-20~60
11	Torque Constant	Kt	N-m/A	0.47	23	Storage Humd.	RH	%	<80
12	Voltage constant	Ke	V/Krpm	32.78 \pm 10%	24	Weight	W	kgw	1.53



Notes:
 1. Motor to be IP67 (excluding the shaft opening & connectors)
 2. Encoder shield wire to be grounded to the motor.

AC SERVO MOTOR

Model: JSMA-PBC04ABK

Pr: 0.4 KW ; Nr: 3000 rpm

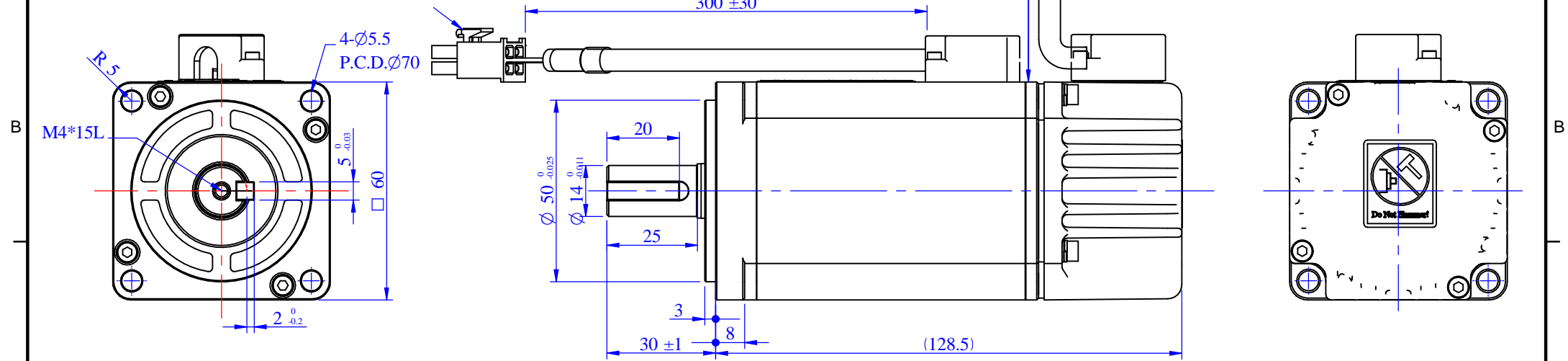
Ir: 2.6 A , Tr: 1.27 N-m

NO.

TECO ELECTRIC & MACHINERY CO., LTD. MADE IN TAIWAN

PIN:AMP 170360-1
 HOUSING:AMP 172167-1

PIN:AMP 770835-1
 HOUSING:AMP 172169-1



STANDARD TOLERANCE					APVD		SCALE	2/3	UNIT	m m	NAME	SERVO MOTOR OUTLINE DRAWING	
X	\pm 0.5				CHKD						TITLE	JSMA-PBC04ABK	
.X	\pm 0.2				CHKD		3RD .A.P						
.XX	\pm 0.05				DWN	Leon	04-06-'16						
ANGLE	\pm 30'												
MATERIAL		REV	DESCRIPTION	SIGNATURE	DATE	SIGNATURE	DATE			Dept. Design	DWG.NO.	D01E06401C3NT3D01	